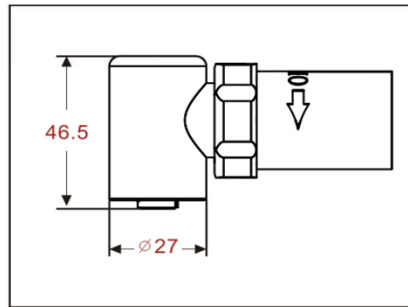


## OP-302L90



**OP-302L90 F**  
Side exhaust  
側排氣



UNIT : (mm)

### Specifications:

OP-302L90: Side exhaust

- (1) While reaching the fixed torque, clutch will run automatically and Protect the workpiece from being damaged.
- (2) With torque regulator.

### Application:

Apply to release or fasten the high-precise screw, especially for outside box setting in industries such as toy, electric, carpentry, and plastic.

MODEL	Screw Size Capacity	MAX. Torque		Free Speed	Air Consumption		Overall Length		Air Inlet	Net Weight		Sound Level
	mm	Nm	ft-lb	rpm	l/min	cfm	mm	inch	P.T	kg	lb	dB(A)
<b>OP-302L90</b>	5	4	3	1650	127	4.5	235	9.25	1/4	0.76	1.68	86